

## Rebris E

### Single lever shower mixer for exposed installation

Surface: **Matt Black** Article Number: **72650670**



#### Description

##### product features

- 1 function
- centre distance: 150 ± 12 mm
- maximum flow rate at 3 bar: 14,9 l/min
- flow rate of hand shower at 3 bar: 14,9 l/min
- ceramic cartridge
- temperature limitation adjustable
- non-return valve
- with silencer
- hose connection DN15
- connection dimension: DN15
- connection type: s-shaped connections
- min. operating pressure: 1 bar
- max. operating pressure: 10 bar

#### Design awards



DESIGN  
AWARD  
2022



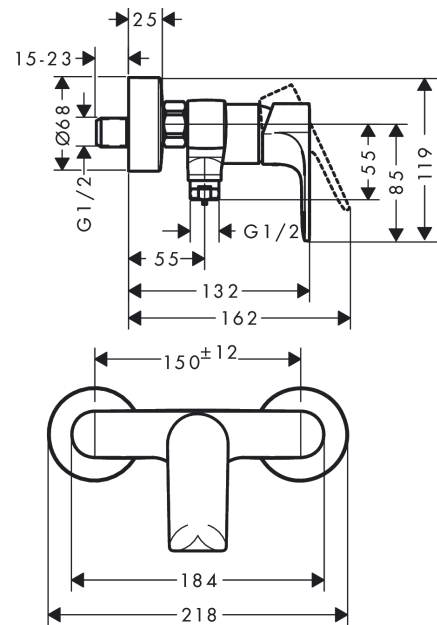
reddot winner 2022



#### Product image



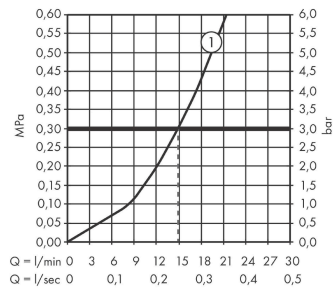
#### Scale drawing



**Rebris E**  
**Single lever shower mixer for exposed installation**  
 Surface: **Matt Black** Article Number: **72650670**



**Flowchart**

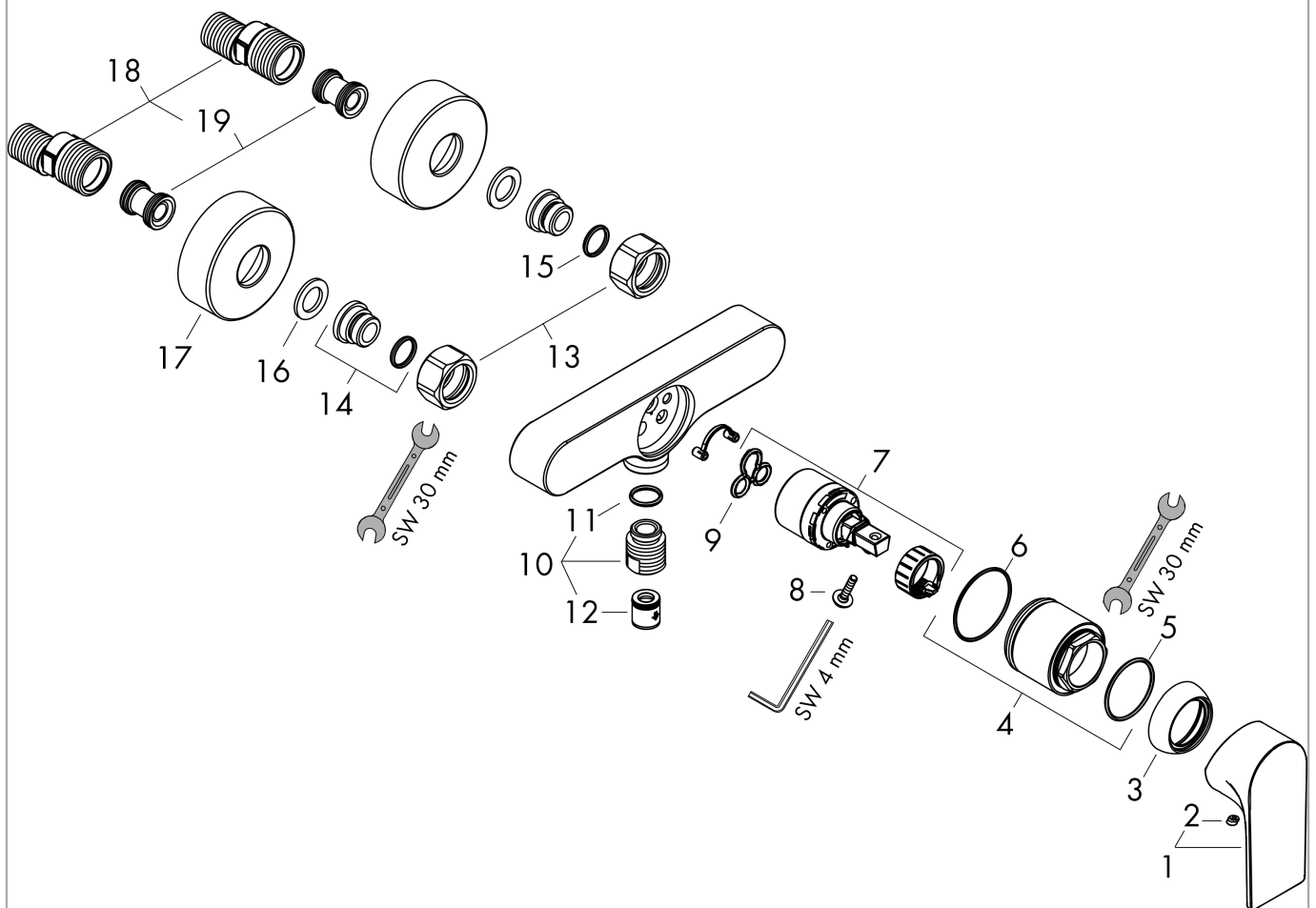


**Rebris E**  
**Single lever shower mixer for exposed installation**  
 Surface: **Matt Black** Article Number: **72650670**



**Exploded Drawing**

Year of production: >06/22



**Rebris E****Single lever shower mixer for exposed installation**Surface: **Matt Black** Article Number: **72650670****Spare part list**

Year of production: &gt;06/22

Pos.	Description	Article Number	Price	PU
1	handle	94655000	€ 45,82	1
2	screw cover	96338000	€ 3,33	1
3	flange	97406000	€ 18,80	1
4	nut	97977000	€ 36,89	1
5	O-Ring 32x2	98193000	€ 3,33	1
6	O-ring 33x1,5	98164000	€ 3,33	1
7	cartridge, assy	92730000	€ 58,67	1
8	locking screw for handle	95140000	€ 5,36	1
9	seal	95008000	€ 8,69	1
10	Hose Connection	96044000	€ 22,97	1
11	O-ring 14x2	98129000	€ 3,33	1
12	set of non return valves DW 15	94074000	€ 14,28	1
13	set of nuts	96157000	€ 28,92	1
14	connecting thread	97220000	€ 14,28	1
15	O-ring 15x2	98163000	€ 3,33	1
16	filter packing	96922000	€ 8,69	1
17	escutcheon Ø 68 mm	96467000	€ 18,80	1
18	set of S-unions (±12 mm)	94140000	€ 45,82	1
19	noise reduction	96429000	€ 5,36	1